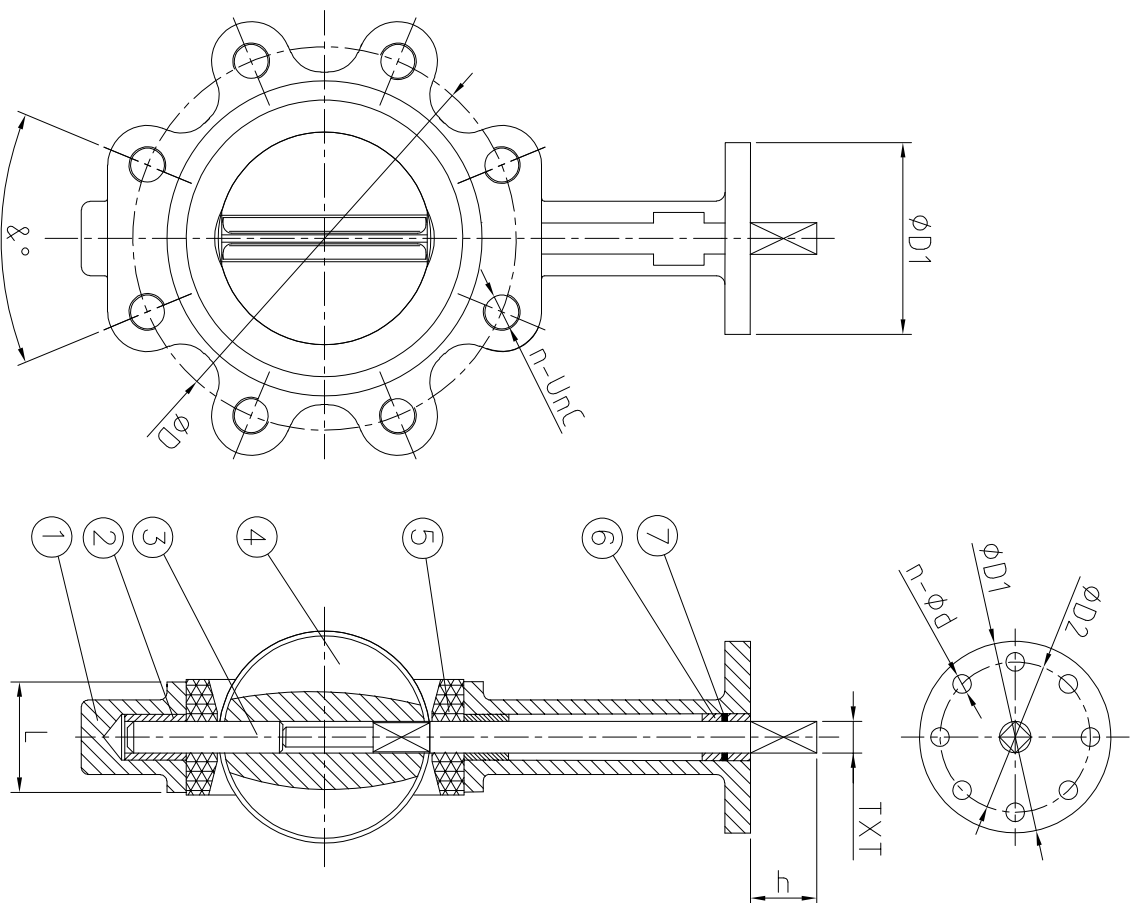


SIZE	DN	L	ΦD	n-Unc	α°	ISO 5211 PAD NO	ΦD1	ΦD2	n-φd	TXT	h	Torque Nm	Weight
1 1/2"	40	42	φ98.4	4- Unc 1/2"	90°	F05	φ90	φ50	4-φ8	9X9	30	17	3.2 KG
2"	50	42	φ120.7	4- Unc 5/8"	90°	F05	φ90	φ50	4-φ8	9X9	30	17	3.5 KG
2 1/2"	65	44.7	φ139.7	4- Unc 5/8"	90°	F05	φ90	φ50	4-φ8	9X9	30	25	4 KG
3"	80	45.2	φ152.4	4- Unc 5/8"	90°	F05	φ90	φ50	4-φ8	9X9	30	38	4.5 KG
4"	100	52.1	φ190.5	8- Unc 5/8"	45°	F07	φ90	φ70	4-φ10	11X11	30	56	5.2 KG
5"	125	54.4	φ215.9	8- Unc 3/4"	45°	F07	φ90	φ70	4-φ10	14X14	30	90	7.5 KG
6"	150	55.8	φ241.3	8- Unc 3/4"	45°	F07	φ90	φ70	4-φ10	14X14	30	124	9 KG
8"	200	60.6	φ298.5	8- Unc 3/4"	45°	F10	φ125	φ102	4-φ12	17X17	40	233	14 KG
10"	250	65.6	φ362.0	12- Unc 7/8"	30°	F10	φ125	φ102	4-φ12	22X22	45	392	30 KG
12"	300	76.9	φ431.8	12- Unc 7/8"	30°	F10	φ125	φ102	4-φ12	22X22	45	560	50 KG

* 1. The torque without Safety factor.

* 2. Safety factor of 1.3 is recommended.



7	O-Ring	Viton	1	
6	Short Bushing	PTFE	2	
5	Seat	Viton	1	
4	Disc	A351 CF3M	1	
3	Stem	A276 SS316L	1	
2	Long Bushing	PTFE	2	
1	Body	A351 CF3M	1	
NO.	NAME	MATERIAL	QTY	
	CWP:16Bar	SHELL		SEAL
TEST PRESSURE	HYDROSTATIC	24	bar	17.6
	AIR	6	bar	6
	DESIGN CODE	API 609		
	INSPECTION & TEST	API 598		
	END STANDARD	ASME B16.5 150LB		
	FACE TO FACE	API 609		
	WORKING TEMPERATURE	-29C° ~ +120C°		
TITLE : CONCENTRIC BUTTERFLY VALVE SQUARE BARE SHAFT				
NPS 1 1/2"~12" - 150LB - LUG - A351 CF3M/SS316L/Viton				
APPROVED			DWG NO.	REV
CHECKED				
DRAWN				
DESIGNED		SCALE	UNIT	mm

1	Nondestructive Testing		
1.1	Pressure Test	Mandatory	Yes
1.2	Chemical composition certification	Mandatory	Yes
1.3	Penetrant Test	All Body Surface	Yes
1.4	Magnetic particle testing	All Body Surface	Yes